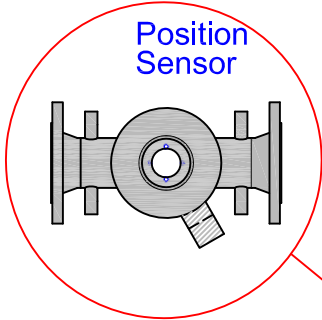


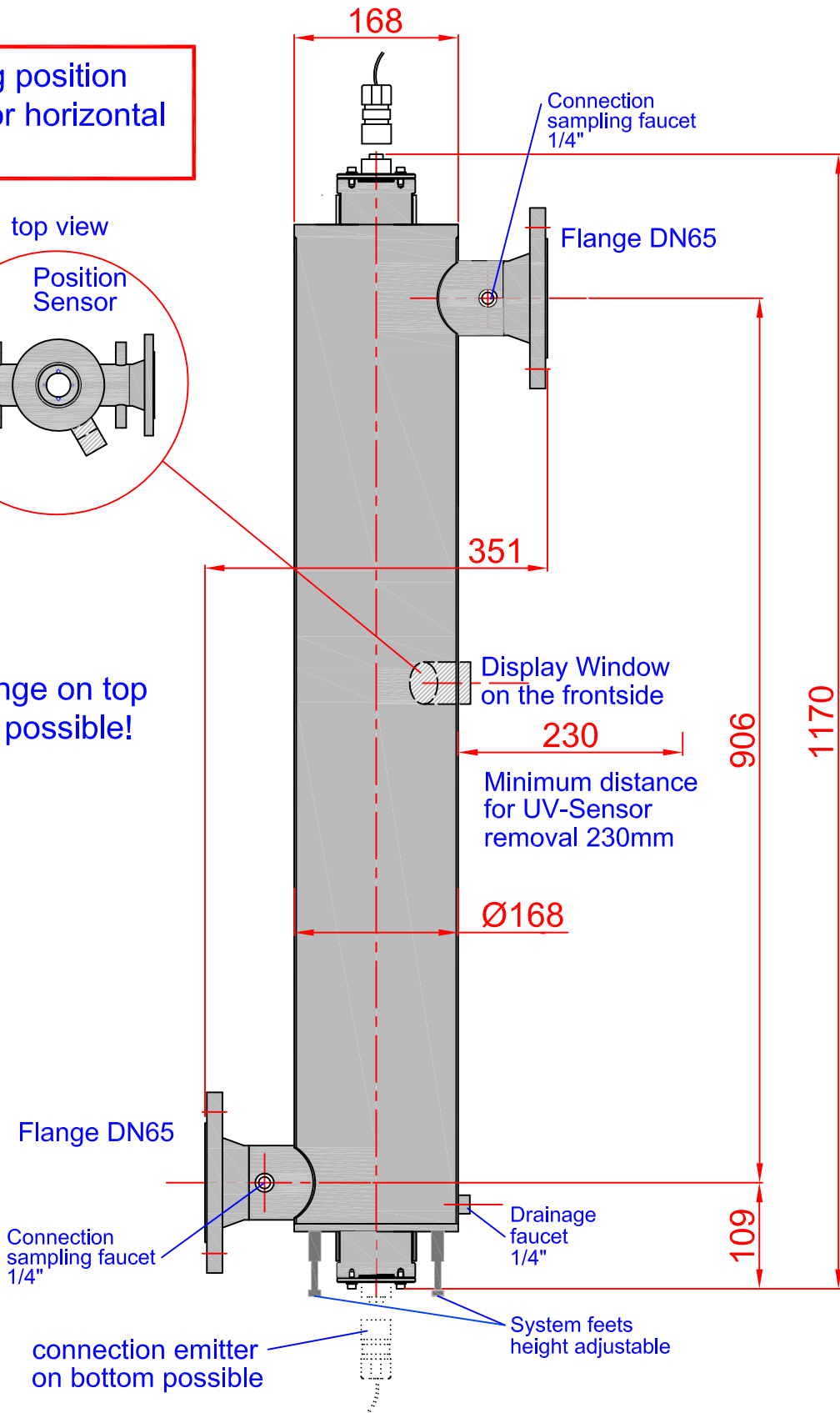
Required total space for emitter change: 2150mm

Mounting position vertical or horizontal possible!

top view



emitter change on top and bottom possible!



UV-Disinfection System VISADES T200F

Technical changes and errors reserved!

VISADES
UV-TECHNOLOGY

Dimension sheet chamber

UV-System T200F

5023 Salzburg Tel. 0662 871224 0
Mauermannstraße 2 Fax 0662 871224 10
eMail: office@visades.com